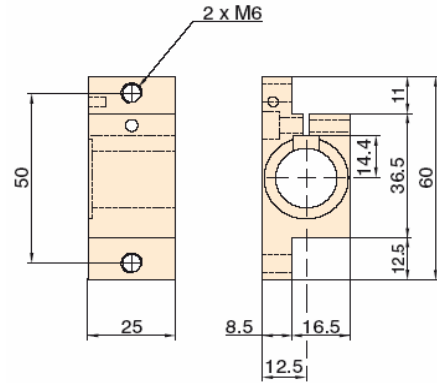


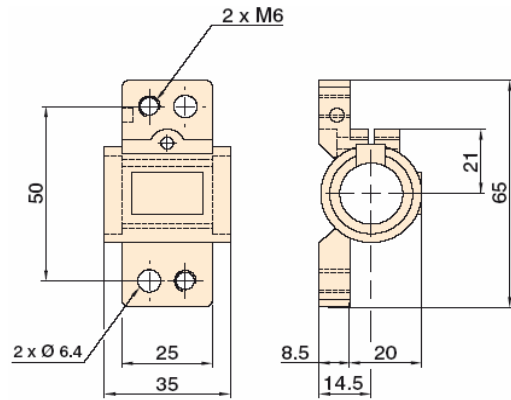


# ISEL Ballnut 1a and 1b

Housing Assembled with Integral ballnut



Type 1a			
Ballnut Part number	Installed Ballnut	Capacity	
		C(N)	C0 (N)
Type 1a 16x4	16x4	2600	4200
Type 1a 16x5	16x5	4600	7200



Type 1b			
Ballnut Part number	Installed Ballnut	Capacity	
		C(N)	C0 (N)
Type 1b 16x5	16x5	4600	7200
Type 1b 16x10	16x10	4200	6500
Type 1b 16x20	16x20	1900	2500

**User Guide:** Suitable for small XYZ machines (700x500mm), ballnut can be adjusted to zero backlash

N.B. Without wipers