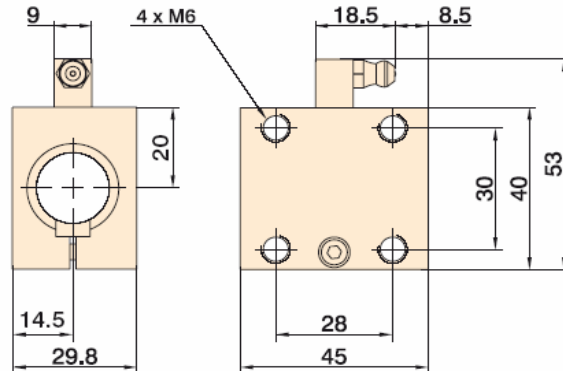




ISEL Ballnut Type 2 and 3

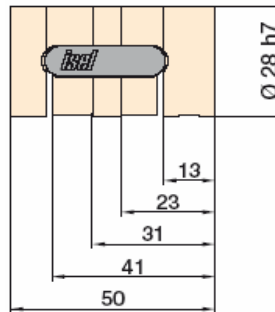
Housing Assembled with Integral ballnut (type 2)



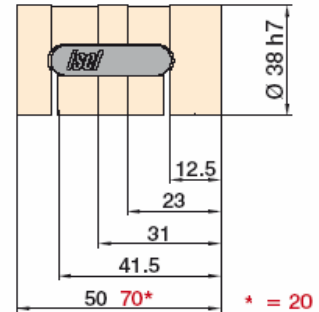
Type 2		Capacity	
Ballnut Part number	Installed Ballnut	C(N)	CO (N)
Type 2 16x2.5	16x2.5	3500	5500
Type 2 16x4	16x4	4600	7200
Type 2 16x5	16x5	4600	7200
Type 2 16x10	16x10	4200	6500



Spindel Ø 16



Spindel Ø 25



Type 3 16mm		Capacity	
Ballnut Part number	Installed Ballnut	C(N)	CO (N)
Type 3 16x2.5	n/a	3500	5500
Type 3 16x4	n/a	4600	7200
Type 3 16x5	n/a	4600	7200
Type 3 16x10	n/a	4200	6500
Type 3 16x20	n/a	1900	2500

Type 3 25mm		Capacity	
Ballnut Part number	Installed Ballnut	C(N)	CO (N)
Type 3 25x5	n/a	5100	12600
Type 3 25x10	n/a	2100	12600
Type 3 25x20	n/a	3570	8800

User Guide: TYPE 2 Suitable for small XYZ machines (700x500mm), Type 3 (1000x800mm) ballnut can be adjusted to zero backlash.

N.B. Type 2 Without wipers, Type 3 wipers can be fitted