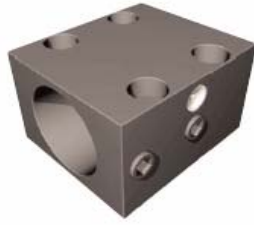




ISEL Ballnut Housing for type 3 Ballnuts

Flange or Base Style

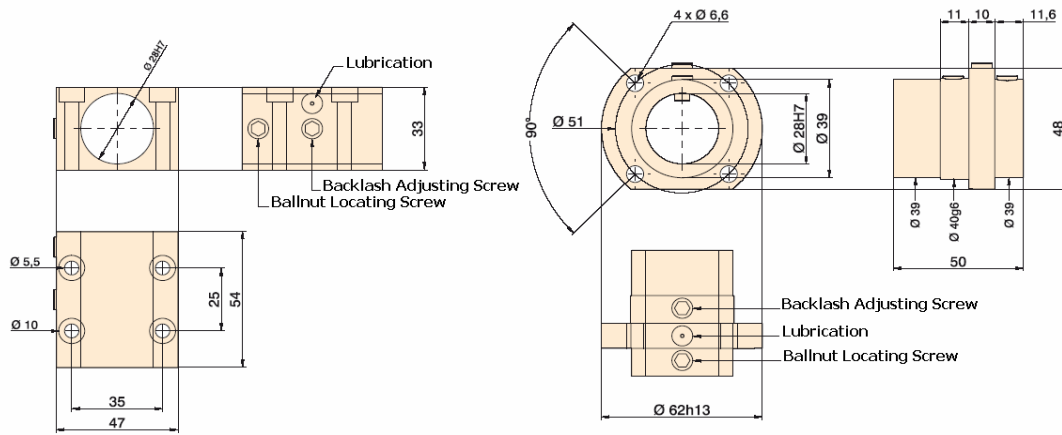


Base Housing

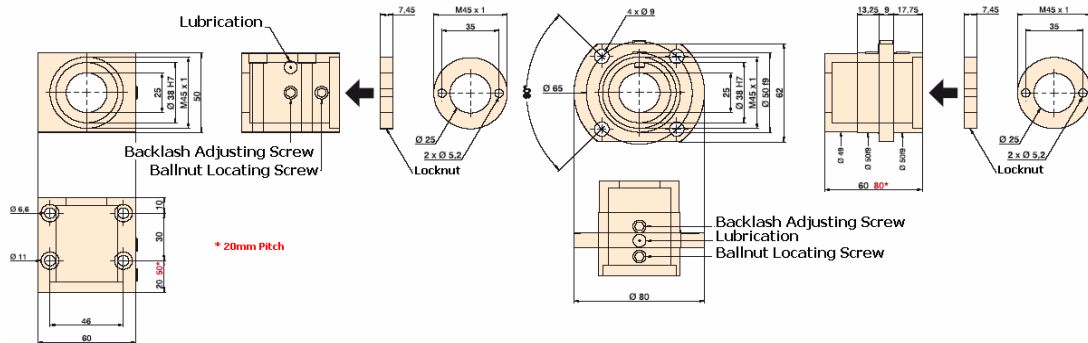


Flange Housing

For use with 16mm and 25mm Type 3 ISEL Ballnuts only



16mm Base and Flange Type



25mm Base and Flange Type